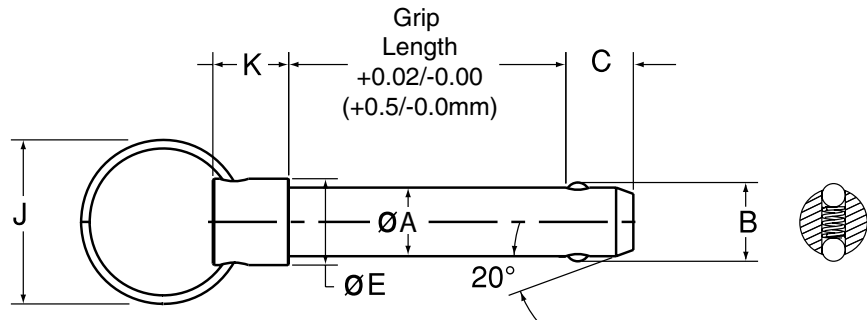


Heavy Duty Detent Pins

MIL-P-45952/1



The Heavy Duty Detent Kwik-Lok Pin is a high quality shoulder style alignment pin for applications that don't require the positive locking ball feature.

- Heavy duty spring and 2 spring loaded stainless steel locking balls provide high pull out force
- Available in 300 Series Stainless steel or heat treated alloy steel. Also in 17-4 PH heat treated stainless steel upon request
- Includes split ring for easy attachment of optional lanyard.

Heavy Duty Detent Specifications - Inch

Nom. Pin Dia	Dia. +0.000/-0.003 A	Min. B	+0.00/-0.06 C	Dia. +/-0.015 E	Dia. J	K	Double Shear Strength - (lbs)		Pull Out Force (lbs)	Recommended Hole Diameter	
							Alloy Steel Heat Treated	Stainless 300 Series		Max	Min
1/4	.2480	.280	.344	.375	1.187	.50	8,500	4,500	2 to 7	0.2540	0.2500
5/16	.3105	.360	.359	.438	1.187	.50	13,400	7,100	2 to 7	0.3165	0.3125
3/8	.3730	.430	.390	.500	1.187	.50	19,600	10,300	6 to 14	0.3790	0.3750
7/16	.4355	.495	.469	.625	1.187	.55	26,700	14,050	6 to 14	0.4425	0.4375
1/2	.4980	.570	.516	.625	1.187	.55	34,900	18,400	10 to 22	0.5050	0.5000
9/16	.5605	.645	.593	.625	1.687	.55	44,300	23,300	15 to 30	0.5675	0.5625
5/8	.6230	.720	.672	.750	1.687	.55	54,900	28,900	15 to 30	0.6300	0.6250
3/4	.7480	.860	.750	.875	1.687	.55	79,300	41,800	15 to 30	0.7570	0.7500
7/8	.8730	1.030	.859	1.000	2.187	.55	108,000	57,000	20 to 35	0.8820	0.8750
1	.9980	1.160	.984	1.125	2.187	.55	141,500	74,600	20 to 40	1.0100	1.0000

Heavy Duty Detent Specifications - Metric

Nom. Pin Dia	Dia. +0.000/-0.008 A	Min. B	+0.0/-1.5 C	Dia. +/- 0.4 E	Dia. J	K	Double Shear Strength - (kN)		Pull Out Force N	Recommended Hole Diameter	
							Alloy Steel Heat Treated	Stainless 300 Series		Max	Min
6	5.95	6.88	8.74	9.53	30.15	12.7	33	17	9 to 31	6.1	6
8	7.95	9.35	9.12	11.13	30.15	12.7	60	32	9 to 31	8.1	8
10	9.95	11.58	9.91	12.70	30.15	12.7	96	50	26 to 62	10.1	10
12	11.95	13.84	13.11	15.88	30.15	14.2	138	73	44 to 97	12.1	12
16	15.95	18.54	17.07	19.05	42.85	14.2	248	130	66 to 133	16.1	16
20	19.95	22.91	19.05	22.23	42.85	14.2	388	204	89 to 155	20.15	20
25	24.95	29.18	24.99	28.58	55.55	14.2	609	321	89 to 178	25.15	25

All data is subject to change without notice, please contact our technical department to confirm data

Dimensions in millimeters

KWIK-LOK™ PINS

Heavy Duty Detent Pins - Inch

Pin Dia	Grip Length (inches)												
	0.5	0.75	1	1.25	1.5	1.75	2	2.5	3	4	5	6	
Stainless Steel - Stainless Steel, 300 series heat treated													
PARTS	3/16	803800	803801	803802	803803	803804	803805	803806	803808	803809	803811	803813	803815
	1/4	803816	803817	803818	803819	803820	803821	803822	803824	803825	803827	803829	803831
	5/16	803832	803833	803834	803835	803836	803837	803838	803840	803841	803843	803845	803847
	3/8	803848	803849	803850	803851	803852	803853	803854	803856	803857	803859	803861	803863
	7/16	803864	803865	803866	803867	803868	803869	803870	803872	803873	803875	803877	803879
	1/2	803880	803881	803882	803883	803884	803885	803886	803888	803889	803891	803893	803895
	9/16	803896	803897	803898	803899	803900	803901	803902	803904	803905	803907	803909	803911
	5/8	803912	803913	803914	803915	803916	803917	803918	803920	803921	803923	803925	803927
	3/4	803928	803929	803930	803931	803932	803933	803934	803936	803937	803939	803941	803943
	7/8	803944	803945	803946	803947	803948	803949	803950	803952	803953	803955	803957	803959
1	803960	803961	803962	803963	803964	803965	803966	803968	803969	803971	803973	803975	
Alloy Steel - High Strength Alloy Steel, 4130 heat treated and cadmium plated, yellow trivalent chromium passivation													
PARTS	3/16	803600	803601	803602	803603	803604	803605	803606	803608	803609	803611	803613	803615
	1/4	803616	803617	803618	803619	803620	803621	803622	803624	803625	803627	803629	803631
	5/16	803632	803633	803634	803635	803636	803637	803638	803640	803641	803643	803645	803647
	3/8	803648	803649	803650	803651	803652	803653	803654	803656	803657	803659	803661	803663
	7/16	803664	803665	803666	803667	803668	803669	803670	803672	803673	803675	803677	803679
	1/2	803680	803681	803682	803683	803684	803685	803686	803688	803689	803691	803693	803695
	9/16	803696	803697	803698	803699	803700	803701	803702	803704	803705	803707	803709	803711
	5/8	803712	803713	803714	803715	803716	803717	803718	803720	803721	803723	803725	803727
	3/4	803728	803729	803730	803731	803732	803733	803734	803736	803737	803739	803741	803743
	7/8	803744	803745	803746	803747	803748	803749	803750	803752	803753	803755	803757	803759
1	803760	803761	803762	803763	803764	803765	803766	803768	803769	803771	803773	803775	

Contact customer service for other sizes.

Heavy Duty Detent Pins - Metric

Pin Dia	Grip Length (mm)												
	10	15	20	25	30	40	50	60	70	80	90	100	
Stainless Steel - Stainless Steel, 300 series heat treated													
PARTS	5	853800	853801	853802	853803	853804	853805	853806	853807	853808	853809	853810	853811
	6	853812	853813	853814	853815	853816	853817	853818	853819	853820	853821	853822	853823
	8	853824	853825	853826	853827	853828	853829	853830	853831	853832	853833	853834	853835
	10	853836	853837	853838	853839	853840	853841	853842	853843	853844	853845	853846	853847
	12	853848	853849	853850	853851	853852	853853	853854	853855	853856	853857	853858	853859
	16	853860	853861	853862	853863	853864	853865	853866	853867	853868	853869	853870	853871
PARTS	20	853872	853873	853874	853875	853876	853877	853878	853879	853880	853881	853882	853883
	25	853884	853885	853886	853887	853888	853889	853890	853891	853892	853893	853894	853895
	Alloy Steel - High Strength Alloy Steel, 4130 heat treated and cadmium plated, yellow trivalent chromium passivation												
	5	853600	853601	853602	853603	853604	853605	853606	853607	853608	853609	853610	853611
	6	853612	853613	853614	853615	853616	853617	853618	853619	853620	853621	853622	853623
	8	853624	853625	853626	853627	853628	853629	853630	853631	853632	853633	853634	853635
	10	853636	853637	853638	853639	853640	853641	853642	853643	853644	853645	853646	853647
12	853648	853649	853650	853651	853652	853653	853654	853655	853656	853657	853658	853659	
16	853660	853661	853662	853663	853664	853665	853666	853667	853668	853669	853670	853671	
20	853672	853673	853674	853675	853676	853677	853678	853679	853680	853681	853682	853683	
25	853684	853685	853686	853687	853688	853689	853690	853691	853692	853693	853694	853695	

Contact customer service for other metric sizes.