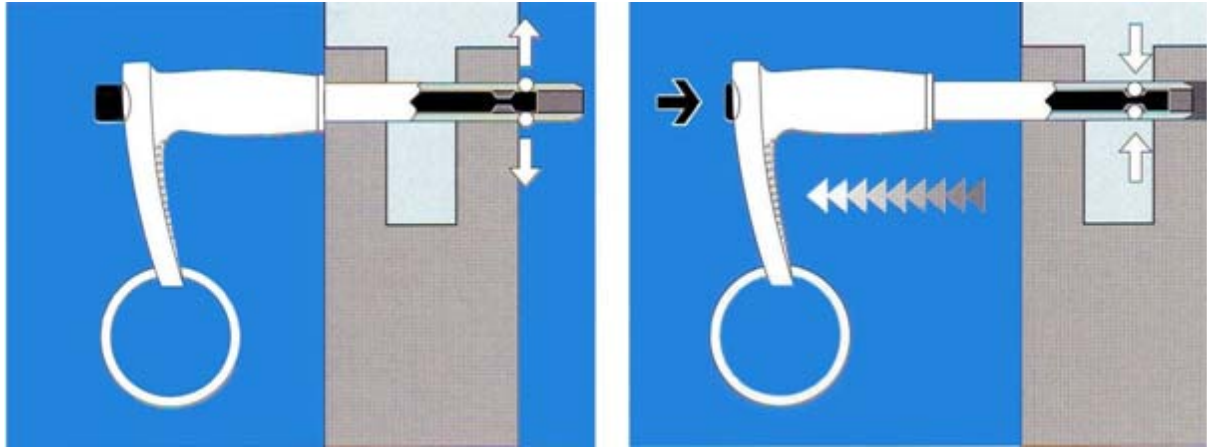


Primary Fasteners Limited

Single Action Quick Release Pins



Push Button to insert or remove pin

Handle Styles

- T Handle
- L Handle
- Button Handle
- Ring Handle
- Heavy Duty Button Handle
- Recessed Button Handle

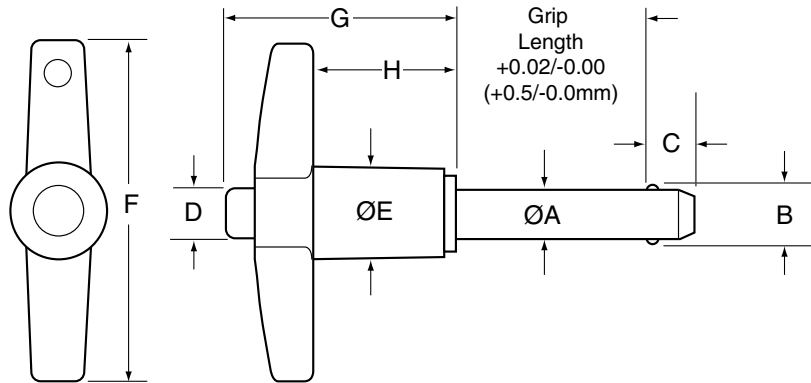
Changes

Product development is a continuing process. Specifications and engineering data are subject to change without notice. If current information is required, please contact our technical department to verify dimensions or specifications

Standards

The MS and NAS Standard only apply to Imperial dimensioned Product

T-Handle Kwik-Lok Pin MS17985



- The T-Handle Kwik-Lok Pin provides a firm, even grip for smooth comfortable operation.
- Handle is black cast aluminum and the button is blue anodized aluminum.
- Pin body available in:
Heat Treated 17-4 PH Stainless Steel
or Heat Treated Alloy Steel, Cadmium plated.
- Includes hole and split ring for easy attachment of optional lanyard.

T-Handle Specifications - Inch

Nom Pin Dia	ØA		±0.005 B	+0.00/-0.04 C	D	E	F	G	H
	Min	Max							
3/16 (#10)	.1870	.1885	.220	.260	1/4	1/2	1 13/16	1 1/4	3/4
1/4	.2470	.2485	.289	.290	1/4	1/2	1 13/16	1 1/4	3/4
5/16	.3095	.3110	.375	.330	1/4	1/2	1 13/16	1 1/4	3/4
3/8	.3720	.3735	.440	.365	5/16	19/32	2	1 7/16	15/16
7/16	.4345	.4360	.509	.380	5/16	19/32	2	1 7/16	15/16
1/2	.4970	.4985	.594	.460	15/32	3/4	2	1 5/8	1
9/16	.5595	.5610	.666	.510	15/32	3/4	2 3/8	1 5/8	1
5/8	.6220	.6235	.750	.580	9/16	15/16	3 1/8	1 31/32	1 3/16
3/4	.7470	.7485	.887	.670	5/8	15/16	3 1/8	1 31/32	1 3/16
7/8	.8720	.8735	1.046	.760	3/4	1 1/4	3 1/2	2 1/4	1 11/32
1	.9970	.9985	1.209	.890	3/4	1 1/4	3 1/2	2 1/4	1 11/32

T-Handle Specifications - Metric

Nom Pin Dia	ØA		±0.25 B	+0.0/-1.0 C	D	E	F	G	H
	Min	Max							
5	4.92	4.96	5.54	6	6.5	13.1	46.1	31.3	19.7
6	5.92	5.96	6.99	7	6.5	13.1	46.1	31.3	19.7
8	7.92	7.96	9.42	8	6.5	13.1	46.1	31.3	19.7
10	9.92	9.96	11.86	9	7.7	15.0	51.1	36.1	24.0
12	11.92	11.96	14.45	10	11.1	19.1	59.7	41.9	25.8
16	15.92	15.96	19.00	14	14.5	23.9	78.7	49.8	30.1
20	19.92	19.96	24.08	17	26.2	23.9	78.7	49.8	30.1
25	24.92	24.96	30.94	22	26.2	32.0	88.9	55.9	33.9

Dimensions in millimeters

KWIK-LOK™ PINS

T-Handle - Inch

Pin Dia	Grip Length (inches)												
	0.5	0.75	1	1.25	1.5	1.75	2	2.5	3	4	5	6	
Stainless Steel - High Strength Stainless Steel, 17-4 PH heat treated													
P A R T	3/16	801000	801001	801002	801003	801004	801005	801006	801008	801009	801011	801013	801015
	1/4	801016	801017	801018	801019	801020	801021	801022	801024	801025	801027	801029	801031
	5/16	801032	801033	801034	801035	801036	801037	801038	801040	801041	801043	801045	801047
	3/8	801048	801049	801050	801051	801052	801053	801054	801056	801057	801059	801061	801063
	7/16	801064	801065	801066	801067	801068	801069	801070	801072	801073	801075	801077	801079
	1/2	801080	801081	801082	801083	801084	801085	801086	801088	801089	801091	801093	801095
	9/16	801096	801097	801098	801099	801100	801101	801102	801104	801105	801107	801109	801111
	5/8	801112	801113	801114	801115	801116	801117	801118	801120	801121	801123	801125	801127
N U M B E R S	3/4	801128	801129	801130	801131	801132	801133	801134	801136	801137	801139	801141	801143
	7/8	801144	801145	801146	801147	801148	801149	801150	801152	801153	801155	801157	801159
	1	801160	801161	801162	801163	801164	801165	801166	801168	801169	801171	801173	801175
Alloy Steel - High Strength Alloy Steel, 4130 heat treated and cadmium plated, yellow trivalent chromium passivation													
M B E R S	3/16	800800	800801	800802	800803	800804	800805	800806	800808	800809	-	-	-
	1/4	800816	800817	800818	800819	800820	800821	800822	800824	800825	800827	800829	800831
	5/16	800832	800833	800834	800835	800836	800837	800838	800840	800841	800843	800845	800847
	3/8	800848	800849	800850	800851	800852	800853	800854	800856	800857	800859	800861	800863
	7/16	800864	800865	800866	800867	800868	800869	800870	800872	800873	800875	800877	800879
	1/2	800880	800881	800882	800883	800884	800885	800886	800888	800889	800891	800893	800895
	9/16	800896	800897	800898	800899	800900	800901	800902	800904	800905	800907	800909	800911
	5/8	800912	800913	800914	800915	800916	800917	800918	800920	800921	800923	800925	800927
	3/4	800928	800929	800930	800931	800932	800933	800934	800936	800937	800939	800941	800943
	7/8	800944	800945	800946	800947	800948	800949	800950	800952	800953	800955	800957	800959
1	800960	800961	800962	800963	800964	800965	800966	800968	800969	800971	800973	800975	

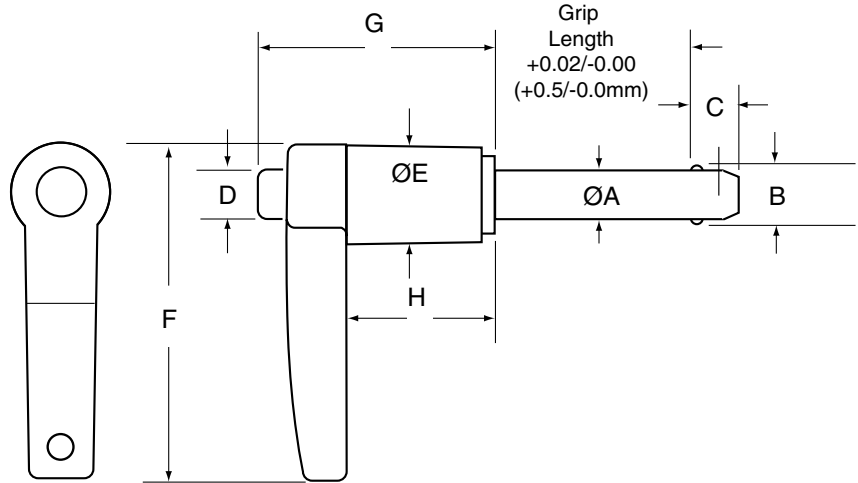
Contact customer service for other sizes. Includes attachment ring.

T-Handle - Metric

Pin Dia	Grip Length (mm)												
	10	15	20	25	30	40	50	60	70	80	90	100	
Stainless Steel - High Strength Stainless Steel, 17-4 PH heat treated													
P A R T	5	851000	851001	851002	851003	851004	851005	851006	851007	851008	851009	851010	851011
	6	851012	851013	851014	851015	851016	851017	851018	851019	851020	851021	851022	851023
	8	851024	851025	851026	851027	851028	851029	851030	851031	851032	851033	851034	851035
	10	851036	851037	851038	851039	851040	851041	851042	851043	851044	851045	851046	851047
	12	851048	851049	851050	851051	851052	851053	851054	851055	851056	851057	851058	851059
	16	851060	851061	851062	851063	851064	851065	851066	851067	851068	851069	851070	851071
	20	851072	851073	851074	851075	851076	851077	851078	851079	851080	851081	851082	851083
	25	851084	851085	851086	851087	851088	851089	851090	851091	851092	851093	851094	851095
N U M B E R S	Alloy Steel - High Strength Alloy Steel, 4130 heat treated and cadmium plated, yellow trivalent chromium passivation												
	5	850800	850801	850802	850803	850804	850805	850806	850807	850808	850809	850810	850811
	6	850812	850813	850814	850815	850816	850817	850818	850819	850820	850821	850822	850823
	8	850824	850825	850826	850827	850828	850829	850830	850831	850832	850833	850834	850835
	10	850836	850837	850838	850839	850840	850841	850842	850843	850844	850845	850846	850847
	12	850848	850849	850850	850851	850852	850853	850854	850855	850856	850857	850858	850859
	16	850860	850861	850862	850863	850864	850865	850866	850867	850868	850869	850870	850871
	20	850872	850873	850874	850875	850876	850877	850878	850879	850880	850881	850882	850883
	25	850884	850885	850886	850887	850888	850889	850890	850891	850892	850893	850894	850895

Contact customer service for other metric sizes. Includes attachment ring.

L-Handle Kwik-Lok Pin MS17986



L-Handle Specifications - Inch

Nom Pin Dia	ØA		±0.005 B	+0.00/-0.04 C	D	E	F	G	H
	Min	Max							
3/16 (#10)	.1870	.1885	.220	.260	1/4	1/2	1 3/4	1 1/4	3/4
1/4	.2470	.2485	.289	.290	1/4	1/2	1 3/4	1 1/4	3/4
5/16	.3095	.3110	.375	.330	1/4	1/2	1 3/4	1 1/4	3/4
3/8	.3720	.3735	.440	.365	5/16	19/32	2	1 7/16	15/16
7/16	.4345	.4360	.509	.380	5/16	19/32	2	1 7/16	15/16
1/2	.4970	.4985	.594	.460	15/32	3/4	2 1/4	1 5/8	1
9/16	.5595	.5610	.666	.510	15/32	3/4	2 1/4	1 5/8	1
5/8	.6220	.6235	.750	.580	9/16	15/16	2 1/2	1 31/32	1 3/16
3/4	.7470	.7485	.887	.670	5/8	15/16	2 1/2	1 31/32	1 3/16
7/8	.8720	.8735	1.046	.760	3/4	1 1/4	3 1/4	2 1/4	1 11/32
1	.9970	.9985	1.209	.890	3/4	1 1/4	3 1/4	2 1/4	1 11/32

- The L-Handle Kwik-Lok Pin provides a firm grip for applications where a T-Handle will not fit.
- Handle is black cast aluminum and the button is blue anodized aluminum.
- Pin body available in:
Heat Treated 17-4 PH Stainless Steel
or Heat Treated Alloy Steel, Cadmium plated.
- Includes hole and split ring for easy attachment of optional lanyard.

L-Handle Specifications - Metric

Nom Pin Dia	ØA		±0.25 B	+0.0/-1.0 C	D	E	F	G	H
	Min	Max							
5	4.92	4.96	5.54	6	6.5	13.1	44.9	31.3	19.7
6	5.92	5.96	6.99	7	6.5	13.1	44.9	31.3	19.7
8	7.92	7.96	9.42	8	6.5	13.1	44.9	31.3	19.7
10	9.92	9.96	11.86	9	7.7	15.1	50.8	36.1	24.0
12	11.92	11.96	14.45	10	11.1	19.1	57.2	41.9	25.8
16	15.92	15.96	19.00	14	14.5	23.9	63.0	49.8	30.1
20	19.92	19.96	24.08	17	26.2	23.9	63.0	49.8	30.1
25	24.92	24.96	30.94	22	26.2	32.4	82.6	55.9	33.9

Dimensions in millimeters

KWIK-LOK™ PINS

L-Handle - Inch

	Pin Dia	Grip Length (inches)											
		0.5	0.75	1	1.25	1.5	1.75	2	2.5	3	4	5	6
P A R T N U M B E R S	Stainless Steel - High Strength Stainless Steel, 17-4 PH heat treated												
	3/16	801400	801401	801402	801403	801404	801405	801406	801408	801409	801411	801413	801415
	1/4	801416	801417	801418	801419	801420	801421	801422	801424	801425	801427	801429	801431
	5/16	801432	801433	801434	801435	801436	801437	801438	801440	801441	801443	801445	801447
	3/8	801448	801449	801450	801451	801452	801453	801454	801456	801457	801459	801461	801463
	7/16	801464	801465	801466	801467	801468	801469	801470	801472	801473	801475	801477	801479
	1/2	801480	801481	801482	801483	801484	801485	801486	801488	801489	801491	801493	801495
	9/16	801496	801497	801498	801499	801500	801501	801502	801504	801505	801507	801509	801511
	5/8	801512	801513	801514	801515	801516	801517	801518	801520	801521	801523	801525	801527
	3/4	801528	801529	801530	801531	801532	801533	801534	801536	801537	801539	801541	801543
	7/8	801544	801545	801546	801547	801548	801549	801550	801552	801553	801555	801557	801559
	1	801560	801561	801562	801563	801564	801565	801566	801568	801569	801571	801573	801575
	Alloy Steel - High Strength Alloy Steel, 4130 heat treated and cadmium plated, yellow trivalent chromium passivation												
	3/16	801200	801201	801202	801203	801204	801205	801206	801208	801209	-	-	-
	1/4	801216	801217	801218	801219	801220	801221	801222	801224	801225	801227	801229	801231
	5/16	801232	801233	801234	801235	801236	801237	801238	801240	801241	801243	801245	801247
	3/8	801248	801249	801250	801251	801252	801253	801254	801256	801257	801259	801261	801263
	7/16	801264	801265	801266	801267	801268	801269	801270	801272	801273	801275	801277	801279
	1/2	801280	801281	801282	801283	801284	801285	801286	801288	801289	801291	801293	801295
9/16	801296	801297	801298	801299	801300	801301	801302	801304	801305	801307	801309	801311	
5/8	801312	801313	801314	801315	801316	801317	801318	801320	801321	801323	801325	801327	
3/4	801328	801329	801330	801331	801332	801333	801334	801336	801337	801339	801341	801343	
7/8	801344	801345	801346	801347	801348	801349	801350	801352	801353	801355	801357	801359	
1	801360	801361	801362	801363	801364	801365	801366	801368	801369	801371	801373	801375	

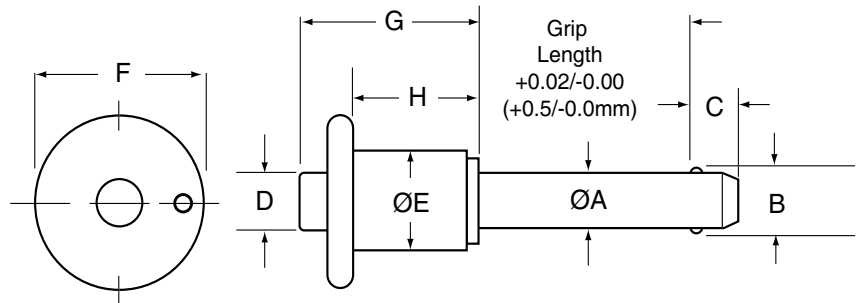
Contact customer service for other sizes. Includes attachment ring.

L-Handle - Metric

	Pin Dia	Grip Length (mm)											
		10	15	20	25	30	40	50	60	70	80	90	100
P A R T N U M B E R S	Stainless Steel - High Strength Stainless Steel, 17-4 PH heat treated												
	5	851400	851401	851402	851403	851404	851405	851406	851407	851408	851409	851410	851411
	6	851412	851413	851414	851415	851416	851417	851418	851419	851420	851421	851422	851423
	8	851424	851425	851426	851427	851428	851429	851430	851431	851432	851433	851434	851435
	10	851436	851437	851438	851439	851440	851441	851442	851443	851444	851445	851446	851447
	12	851448	851449	851450	851451	851452	851453	851454	851455	851456	851457	851458	851459
	16	851460	851461	851462	851463	851464	851465	851466	851467	851468	851469	851470	851471
	20	851472	851473	851474	851475	851476	851477	851478	851479	851480	851481	851482	851483
	25	851484	851485	851486	851487	851488	851489	851490	851491	851492	851493	851494	851495
	Alloy Steel - High Strength Alloy Steel, 4130 heat treated and cadmium plated, yellow trivalent chromium passivation												
	5	851200	851201	851202	851203	851204	851205	851206	851207	851208	851209	851210	851211
	6	851212	851213	851214	851215	851216	851217	851218	851219	851220	851221	851222	851223
	8	851224	851225	851226	851227	851228	851229	851230	851231	851232	851233	851234	851235
10	851236	851237	851238	851239	851240	851241	851242	851243	851244	851245	851246	851247	
12	851248	851249	851250	851251	851252	851253	851254	851255	851256	851257	851258	851259	
16	851260	851261	851262	851263	851264	851265	851266	851267	851268	851269	851270	851271	
20	851272	851273	851274	851275	851276	851277	851278	851279	851280	851281	851282	851283	
25	851284	851285	851286	851287	851288	851289	851290	851291	851292	851293	851294	851295	

Contact customer service for other metric sizes. Includes attachment ring.

Button Handle Kwik-Lok Pin MS17984



Nom Pin Dia	ØA		+/-0.005 B	+0.00/-0.04 C	D	E	F	G	H
	Min	Max							
3/16 (#10)	.1870	.1885	.220	.260	1/4	7/16	13/16	13/16	5/8
1/4	.2470	.2485	.289	.290	1/4	7/16	13/16	7/8	5/8
5/16	.3095	.3110	.375	.330	1/4	7/16	7/8	29/32	5/8
3/8	.3720	.3735	.440	.365	5/16	9/16	1 1/8	1 1/32	3/4
7/16	.4345	.4360	.509	.380	5/16	9/16	1 1/8	1 3/32	3/4
1/2	.4970	.4985	.594	.460	7/16	23/32	1 3/8	1 3/16	13/16
9/16	.5595	.5610	.666	.510	7/16	23/32	1 3/8	1 3/8	1
5/8	.6220	.6235	.750	.580	37/64	27/32	1 5/8	1 1/2	1 1/16
3/4	.7470	.7485	.887	.670	37/64	15/16	1 7/8	1 21/32	1 5/32
7/8	.8720	.8735	1.046	.760	3/4	1 1/8	2 3/16	1 31/32	1 1/2
1	.9970	.9985	1.219	.890	3/4	1 3/16	2 3/16	2 1/8	1 1/2

- The Button Handle Kwik-Lok Pin is ideal for applications that have limited space around the handle.
- Light weight black anodized aluminum handle with blue anodized aluminum button.
- Pin body available in:
Heat Treated 17-4 PH Stainless Steel
or Heat Treated Alloy Steel, Cadmium plated.
- Includes hole and split ring for easy attachment of optional lanyard.

Button Handle Specifications - Metric

Nom Pin Dia	ØA		+/-0.25 B	+0.0/-1.0 C	D	E	F	G	H
	Min	Max							
5	4.92	4.96	5.54	6	6.4	11.1	20.6	20.6	15.9
6	5.92	5.96	6.99	7	6.4	11.1	20.6	22.2	15.9
8	7.92	7.96	9.42	8	6.4	11.1	22.2	23.0	15.9
10	9.92	9.96	11.86	9	7.9	14.3	28.6	27.8	19.1
12	11.92	11.96	14.45	10	11.1	18.3	34.9	34.9	25.4
16	15.92	15.96	19.00	14	14.7	21.4	41.3	38.1	27.0
20	19.92	19.96	24.08	17	14.7	23.8	47.6	42.1	29.4
25	24.92	24.96	30.94	22	19.1	30.2	55.6	54.0	38.1

Dimensions in millimeters

KWIK-LOK™ PINS

Button Handle - Inch

	Pin Dia	Grip Length (inches)											
		0.5	0.75	1	1.25	1.5	1.75	2	2.5	3	4	5	6
PARTS	Stainless Steel - High Strength Stainless Steel, 17-4 PH heat treated												
	3/16	800600	800601	800602	800603	800604	800605	800606	800608	800609	800611	800613	800615
	1/4	800616	800617	800618	800619	800620	800621	800622	800624	800625	800627	800629	800631
	5/16	800632	800633	800634	800635	800636	800637	800638	800640	800641	800643	800645	800647
	3/8	800648	800649	800650	800651	800652	800653	800654	800656	800657	800659	800661	800663
	7/16	800664	800665	800666	800667	800668	800669	800670	800672	800673	800675	800677	800679
	1/2	800680	800681	800682	800683	800684	800685	800686	800688	800689	800691	800693	800695
	9/16	800696	800697	800698	800699	800700	800701	800702	800704	800705	800707	800709	800711
	5/8	800712	800713	800714	800715	800716	800717	800718	800720	800721	800723	800725	800727
	3/4	800728	800729	800730	800731	800732	800733	800734	800736	800737	800739	800741	800743
	7/8	800744	800745	800746	800747	800748	800749	800750	800752	800753	800755	800757	800759
	1	800760	800761	800762	800763	800764	800765	800766	800768	800769	800771	800773	800775
	Alloy Steel - High Strength Alloy Steel, 4130 heat treated and cadmium plated, yellow trivalent chromium passivation												
	3/16	800400	800401	800402	800403	800404	800405	800406	800408	800409	—	—	—
	1/4	800416	800417	800418	800419	800420	800421	800422	800424	800425	800427	800429	800431
	5/16	800432	800433	800434	800435	800436	800437	800438	800440	800441	800443	800445	800447
	3/8	800448	800449	800450	800451	800452	800453	800454	800456	800457	800459	800461	800463
	7/16	800464	800465	800466	800467	800468	800469	800470	800472	800473	800475	800477	800479
	1/2	800480	800481	800482	800483	800484	800485	800486	800488	800489	800491	800493	800495
9/16	800496	800497	800498	800499	800500	800501	800502	800504	800505	800507	800509	800511	
5/8	800512	800513	800514	800515	800516	800517	800518	800520	800521	800523	800525	800527	
3/4	800528	800529	800530	800531	800532	800533	800534	800536	800537	800539	800541	800543	
7/8	800544	800545	800546	800547	800548	800549	800550	800552	800553	800555	800557	800559	
1	800560	800561	800562	800563	800564	800565	800566	800568	800569	800571	800573	800575	

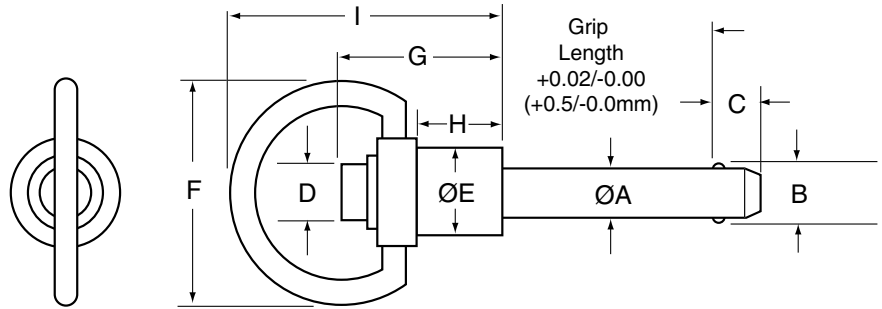
Contact customer service for other sizes. Includes attachment ring.

Button Handle - Metric

	Pin Dia	Grip Length (mm)											
		10	15	20	25	30	40	50	60	70	80	90	100
PARTS	Stainless Steel - High Strength Stainless Steel, 17-4 PH heat treated												
	5	850600	850601	850602	850603	850604	850605	850606	850607	850608	850609	850610	850611
	6	850612	850613	850614	850615	850616	850617	850618	850619	850620	850621	850622	850623
	8	850624	850625	850626	850627	850628	850629	850630	850631	850632	850633	850634	850635
	10	850636	850637	850638	850639	850640	850641	850642	850643	850644	850645	850646	850647
	12	850648	850649	850650	850651	850652	850653	850654	850655	850656	850657	850658	850659
	16	850660	850661	850662	850663	850664	850665	850666	850667	850668	850669	850670	850671
	20	850672	850673	850674	850675	850676	850677	850678	850679	850680	850681	850682	850683
	25	850684	850685	850686	850687	850688	850689	850690	850691	850692	850693	850694	850695
	Alloy Steel - High Strength Alloy Steel, 4130 heat treated and cadmium plated, yellow trivalent chromium passivation												
	5	850400	850401	850402	850403	850404	850405	850406	850407	850408	850409	850410	850411
	6	850412	850413	850414	850415	850416	850417	850418	850419	850420	850421	850422	850423
	8	850424	850425	850426	850427	850428	850429	850430	850431	850432	850433	850434	850435
	10	850436	850437	850438	850439	850440	850441	850442	850443	850444	850445	850446	850447
	12	850448	850449	850450	850451	850452	850453	850454	850455	850456	850457	850458	850459
	16	850460	850461	850462	850463	850464	850465	850466	850467	850468	850469	850470	850471
	20	850472	850473	850474	850475	850476	850477	850478	850479	850480	850481	850482	850483
	25	850484	850485	850486	850487	850488	850489	850490	850491	850492	850493	850494	850495

Contact customer service for other metric sizes. Includes attachment ring.

Ring-Handle Kwik-Lok Pin MS17987



Ring Handle Specifications - Inch

Nom Pin Dia	ØA		±0.005 B	+0.00/ -0.04 C	D	E	F	G	H	I
	Min	Max								
3/16 (#10)	.1870	.1885	.220	.260	1/4	7/16	1 1/8	13/16	29/64	1 11/32
1/4	.2470	.2485	.289	.290	1/4	7/16	1 1/8	13/16	29/64	1 11/32
5/16	.3095	.3110	.375	.330	1/4	7/16	1 1/8	27/32	29/64	1 11/32
3/8	.3720	.3735	.440	.365	5/16	9/16	1 1/8	1	19/32	1 1/2
7/16	.4345	.4360	.509	.380	5/16	9/16	1 1/8	1	19/32	1 1/2
1/2	.4970	.4985	.594	.460	7/16	11/16	1 3/8	1 1/4	5/8	1 7/8
9/16	.5595	.5610	.666	.510	7/16	11/16	1 3/8	1 1/4	11/16	1 7/8
5/8	.6220	.6235	.750	.580	1/2	15/16	1 5/8	1 11/16	7/8	2 7/16
3/4	.7470	.7485	.887	.670	9/16	15/16	1 5/8	1 13/16	1 1/16	2 7/16
7/8	.8720	.8735	1.046	.760	3/4	1 3/16	1 3/4	2 3/16	1 13/32	2 29/32
1	.9970	.9985	1.219	.890	3/4	1 3/16	1 3/4	2 1/8	1 13/32	2 29/32

- The Ring-Handle Kwik-Lok Pin is designed for applications which require small clearance area around the pin.
- Stainless steel handle for tough environment with blue anodized aluminum button (steel shanks), or stainless button (stainless steel shanks).
- Pin body available in:
Heat Treated 17-4 PH Stainless Steel or Heat Treated Alloy Steel, Cadmium plated.
- Ring allows for easy attachment of optional lanyard.

Ring Handle Specifications - Metric

Nom Pin Dia	ØA		±0.25 B	+0.0/ -1.0 C	D	E	F	G	H	I
	Min	Max								
5	4.92	4.96	5.54	6	6.5	10.8	28.0	21.0	11.5	34.1
6	5.92	5.96	6.99	7	6.5	10.8	28.0	21.0	11.5	34.1
8	7.92	7.96	9.42	8	6.5	10.8	28.0	22.0	11.5	34.1
10	9.92	9.96	11.86	9	7.7	14.2	28.0	25.0	15.1	38.0
12	11.92	11.96	14.45	10	10.1	17.2	35.2	28.6	15.9	46.0
16	15.92	15.96	19.00	14	12.4	23.9	41.9	37.0	22.2	56.0
20	19.92	19.96	24.08	17	14.6	23.9	41.9	46.0	27.0	61.6
25	24.92	24.96	30.94	22	19.2	30.0	45.0	55.6	35.7	72.4

Dimensions in millimeters

KWIK-LOK™ PINS

Single Action Pin

Ring-Handle - Inch

Pin Dia	Grip Length (inches)												
	0.5	0.75	1	1.25	1.5	1.75	2	2.5	3	4	5	6	
Stainless Steel - High Strength Stainless Steel, 17-4 PH heat treated													
P A R T	3/16	800200	800201	800202	800203	800204	800205	800206	800208	800209	800211	800213	800215
	1/4	800216	800217	800218	800219	800220	800221	800222	800224	800225	800227	800229	800231
	5/16	800232	800233	800234	800235	800236	800237	800238	800240	800241	800243	800245	800247
	3/8	800248	800249	800250	800251	800252	800253	800254	800256	800257	800259	800261	800263
	7/16	800264	800265	800266	800267	800268	800269	800270	800272	800273	800275	800277	800279
	1/2	800280	800281	800282	800283	800284	800285	800286	800288	800289	800291	800293	800295
	9/16	800296	800297	800298	800299	800300	800301	800302	800304	800305	800307	800309	800311
	5/8	800312	800313	800314	800315	800316	800317	800318	800320	800321	800323	800325	800327
	3/4	800328	800329	800330	800331	800332	800333	800334	800336	800337	800339	800341	800343
	7/8	800344	800345	800346	800347	800348	800349	800350	800352	800353	800355	800357	800359
N U M B E R S	1	800360	800361	800362	800363	800364	800365	800366	800368	800369	800371	800373	800375
	Alloy Steel - High Strength Alloy Steel, 4130 heat treated and cadmium plated, yellow trivalent chromium passivation												
	3/16	800000	800001	800002	800003	800004	800005	800006	800008	800009	-	-	-
	1/4	800016	800017	800018	800019	800020	800021	800022	800024	800025	800027	800029	800031
	5/16	800032	800033	800034	800035	800036	800037	800038	800040	800041	800043	800045	800047
	3/8	800048	800049	800050	800051	800052	800053	800054	800056	800057	800059	800061	800063
	7/16	800064	800065	800066	800067	800068	800069	800070	800072	800073	800075	800077	800079
	1/2	800080	800081	800082	800083	800084	800085	800086	800088	800089	800091	800093	800095
	9/16	800096	800097	800098	800099	800100	800101	800102	800104	800105	800107	800109	800111
	5/8	800112	800113	800114	800115	800116	800117	800118	800120	800121	800123	800125	800127
3/4	800128	800129	800130	800131	800132	800133	800134	800136	800137	800139	800141	800143	
7/8	800144	800145	800146	800147	800148	800149	800150	800152	800153	800155	800157	800159	
1	800160	800161	800162	800163	800164	800165	800166	800168	800169	800171	800173	800175	

Contact customer service for other sizes.

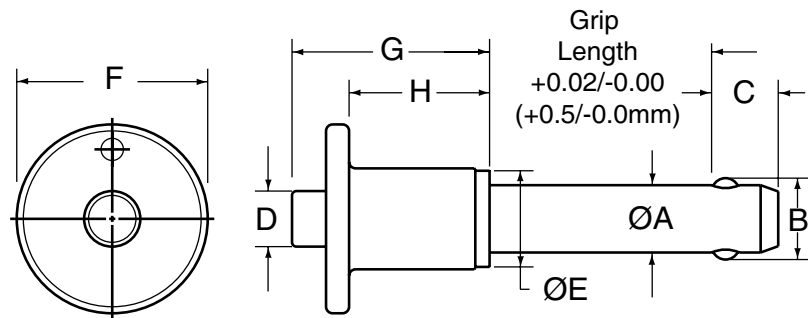
Ring-Handle - Metric

Pin Dia	Grip Length (mm)												
	10	15	20	25	30	40	50	60	70	80	90	100	
Stainless Steel - High Strength Stainless Steel, 17-4 PH heat treated													
P A R T	5	850200	850201	850202	850203	850204	850205	850206	850207	850208	850209	850210	850211
	6	850212	850213	850214	850215	850216	850217	850218	850219	850220	850221	850222	850223
	8	850224	850225	850226	850227	850228	850229	850230	850231	850232	850233	850234	850235
	10	850236	850237	850238	850239	850240	850241	850242	850243	850244	850245	850246	850247
	12	850248	850249	850250	850251	850252	850253	850254	850255	850256	850257	850258	850259
	16	850260	850261	850262	850263	850264	850265	850266	850267	850268	850269	850270	850271
	20	850272	850273	850274	850275	850276	850277	850278	850279	850280	850281	850282	850283
N U M B E R S	25	850284	850285	850286	850287	850288	850289	850290	850291	850292	850293	850294	850295
	Alloy Steel - High Strength Alloy Steel, 4130 heat treated and cadmium plated, yellow trivalent chromium passivation												
	5	850000	850001	850002	850003	850004	850005	850006	850007	850008	850009	850010	850011
	6	850012	850013	850014	850015	850016	850017	850018	850019	850020	850021	850022	850023
	8	850024	850025	850026	850027	850028	850029	850030	850031	850032	850033	850034	850035
	10	850036	850037	850038	850039	850040	850041	850042	850043	850044	850045	850046	850047
	12	850048	850049	850050	850051	850052	850053	850054	850055	850056	850057	850058	850059
16	850060	850061	850062	850063	850064	850065	850066	850067	850068	850069	850070	850071	
20	850072	850073	850074	850075	850076	850077	850078	850079	850080	850081	850082	850083	
25	850084	850085	850086	850087	850088	850089	850090	850091	850092	850093	850094	850095	

Contact customer service for other metric sizes.

Heavy Duty Button Handle Pin

KWIK-LOK™ PINS



Heavy Duty Button Handle

Heavy Duty Button Handle Specifications - Inch

Nom Pin Dia	Pin Dia A		+/-0.005 B	+0.00/-0.04 C	D	E	F	G	H
	Min	Max							
3/16 (#10)	.1870	.1885	.220	.260	1/4	7/16	13/16	13/16	5/8
1/4	.2470	.2485	.289	.290	1/4	7/16	13/16	13/16	5/8
5/16	.3095	.3110	.375	.330	1/4	7/16	7/8	29/32	5/8
3/8	.3720	.3735	.440	.365	5/16	9/16	1 1/8	1 1/32	3/4
7/16	.4345	.4360	.509	.380	5/16	9/16	1 1/8	1 3/32	3/4
1/2	.4970	.4985	.594	.460	7/16	23/32	1 3/8	1 3/16	13/16
9/16	.5595	.5610	.666	.510	7/16	23/32	1 3/8	1 3/8	1
5/8	.6220	.6235	.750	.580	37/64	27/32	1 5/8	1 1/2	1 1/16
3/4	.7470	.7485	.887	.670	37/64	15/16	1 7/8	1 21/32	1 5/32
7/8	.8720	.8735	1.046	.760	3/4	1 1/8	2 3/16	1 31/32	1 1/2
1	.9970	.9985	1.219	.890	3/4	1 3/16	2 3/16	2 1/8	1 1/2

- Heavy Duty solid handle in 303 series stainless steel provides additional impact resistance
- Includes hole and split ring for easy attachment of optional lanyard.
- All stainless steel construction provides additional corrosion resistance
- Body is made from high Strength Stainless Steel, 17-4 PH heat treated
- Meets or exceeds NASM 23460 specifications
- May be ordered with 4 locking balls for additional locking element tensile strength

Heavy Duty Button Handle Specifications - Metric

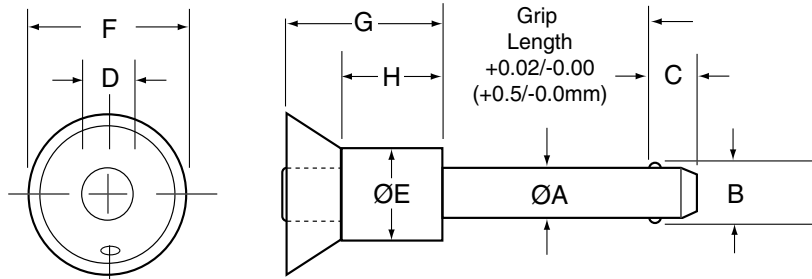
Nom Pin Dia	Pin Dia A		+/- 0.25 B	+0.0/- 1.0 C	D	E	F	G	H
	Min	Max							
5	4.92	4.96	5.54	6	6.4	11.1	20.6	20.6	15.9
6	5.92	5.96	6.99	7	6.4	11.1	20.6	20.6	15.9
8	7.92	7.96	9.42	8	6.4	11.1	22.2	23.0	15.9
10	9.92	9.96	11.86	9	7.9	14.3	28.6	27.8	19.1
12	11.92	11.96	14.45	10	11.1	18.3	34.9	34.9	25.4
16	15.92	15.96	19.00	14	14.7	21.4	41.3	38.1	27.0
20	19.92	19.96	24.08	17	14.7	23.8	47.6	42.1	29.4
25	24.92	24.96	30.94	22	19.1	30.2	55.6	54.0	38.1

Dimensions in millimeters

Pin Dia	Grip Length (inches)											
	0.5	0.75	1	1.25	1.5	1.75	2	2.5	3	4	5	6
Heavy Duty Button Handle - Inch												
3/16	806400	806401	806402	806403	806404	806405	806406	806408	806409	806411	806413	806415
1/4	806416	806417	806418	806419	806420	806421	806422	806424	806425	806427	806429	806431
5/16	806432	806433	806434	806435	806436	806437	806438	806440	806441	806443	806445	806447
3/8	806448	806449	806450	806451	806452	806453	806454	806456	806457	806459	806461	806463
7/16	806464	806465	806466	806467	806468	806469	806470	806472	806473	806475	806477	806479
1/2	806480	806481	806482	806483	806484	806485	806486	806488	806489	806491	806493	806495
9/16	806496	806497	806498	806499	806500	806501	806502	806504	806505	806507	806509	806511
5/8	806512	806513	806514	806515	806516	806517	806518	806520	806521	806523	806525	806527
3/4	806528	806529	806530	806531	806532	806533	806534	806536	806537	806539	806541	806543
7/8	806544	806545	806546	806547	806548	806549	806550	806552	806553	806555	806557	806559
1	806560	806561	806562	806563	806564	806565	806566	806568	806569	806571	806573	806575
Pin Dia	Grip Length (mm)											
	10	15	20	25	30	40	50	60	70	80	90	100
Heavy Duty Button Handle - Metric												
5	855400	855401	855402	855403	855404	855405	855406	855407	855408	855409	855410	855411
6	855412	855413	855414	855415	855416	855417	855418	855419	855420	855421	855422	855423
8	855424	855425	855426	855427	855428	855429	855430	855431	855432	855433	855434	855435
10	855436	855437	855438	855439	855440	855441	855442	855443	855444	855445	855446	855447
12	855448	855449	855450	855451	855452	855453	855454	855455	855456	855457	855458	855459
16	855460	855461	855462	855463	855464	855465	855466	855467	855468	855469	855470	855471
20	855472	855473	855474	855475	855476	855477	855478	855479	855480	855481	855482	855483
25	855484	855485	855486	855487	855488	855489	855490	855491	855492	855493	855494	855495

Contact customer service for other sizes. Includes attachment ring.

Recessed Button Handle Kwik-Lok Pin



Recessed Button Handle Specifications - Inch

Nom Pin Dia	ØA		+/-0.005 B	+0.00/-0.04 C	Button Dia. D	E	F	G	H
	Min	Max							
3/16 (#10)	.1870	.1885	.220	.260	1/4	15/32	13/16	1"	23/32
1/4	.2470	.2485	.289	.290	1/4	15/32	13/16	1"	23/32
5/16	.3095	.3110	.375	.330	1/4	15/32	13/16	1"	23/32
3/8	.3720	.3735	.440	.365	5/16	1/2	1 3/32	1 5/16	7/8
7/16	.4345	.4360	.509	.380	5/16	1/2	1 3/32	1 5/16	7/8
1/2	.4970	.4985	.594	.460	7/16	5/8	1 1/16	1 1/8	11/16

- The Recessed Button Handle Kwik-Lok Pin design helps prevent accidental actuation of the pin.
- Handle is stainless steel and the button is stainless steel.
- Body is made from high Strength Stainless Steel, 17-4 PH heat treated.
- Includes hole for easy attachment of optional lanyard or ring.

Recessed Button Handle Specifications - Metric

Nom Pin Dia	ØA		+/-0.25 B	+0.01/-1.0 C	Button Dia. D	E	F	G	H
	Min	Max							
5	4.92	4.96	5.54	6	6.5	11.6	20.0	25.0	18.2
6	5.92	5.96	6.99	7	6.5	11.6	20.0	25.0	18.2
8	7.92	7.96	9.42	8	6.5	11.6	20.0	25.0	18.2
10	9.92	9.96	11.86	9	8.1	12.7	27.2	33.1	21.9
12	11.92	11.96	14.45	10	10.1	15.9	27.4	30.6	20.3

Pin Dia	Grip Length (Inches)												
	0.5	0.75	1	1.25	1.5	1.75	2	2.5	3*	4*	5*	6	
PART NUMBERS	3/16	803000	803001	803002	803003	803004	803005	803006	803008	803009	803011	803013	803015
	1/4	803016	803017	803018	803019	803020	803021	803022	803024	803025	803027	803029	803031
	5/16	803032	803033	803034	803035	803036	803037	803038	803040	803041	803043	803045	803047
	3/8	803048	803049	803050	803051	803052	803053	803054	803056	803057	803059	803061	803063
	7/16	803064	803065	803066	803067	803068	803069	803070	803072	803073	803075	803077	803079
	1/2	803080	803081	803082	803083	803084	803085	803086	803088	803089	803091	803093	803095

Contact customer service for other sizes.

Pin Dia	Grip Length (Metric)												
	10	15	20	25	30	40	50	60	70	80	90	100	
PART NUMBERS	5	853000	853001	853002	853003	853004	853005	853006	853007	853008	853009	853010	853011
	6	853012	853013	853014	853015	853016	853017	853018	853019	853020	853021	853022	853023
	8	853024	853025	853026	853027	853028	853029	853030	853031	853032	853033	853034	853035
	10	853036	853037	853038	853039	853040	853041	853042	853043	853044	853045	853046	853047
	12	853048	853049	853050	853051	853052	853053	853054	853055	853056	853057	853058	853059

Contact customer service for other sizes.